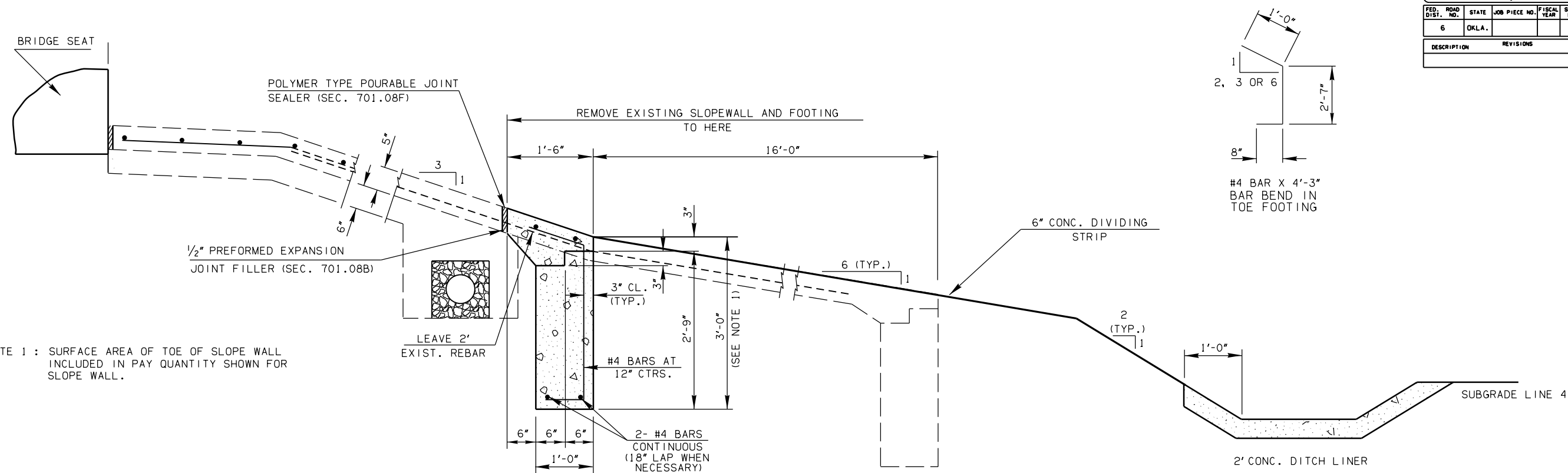
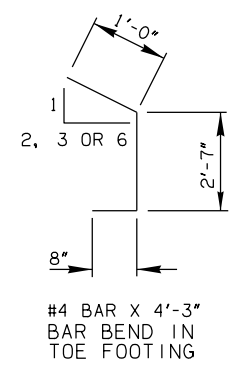


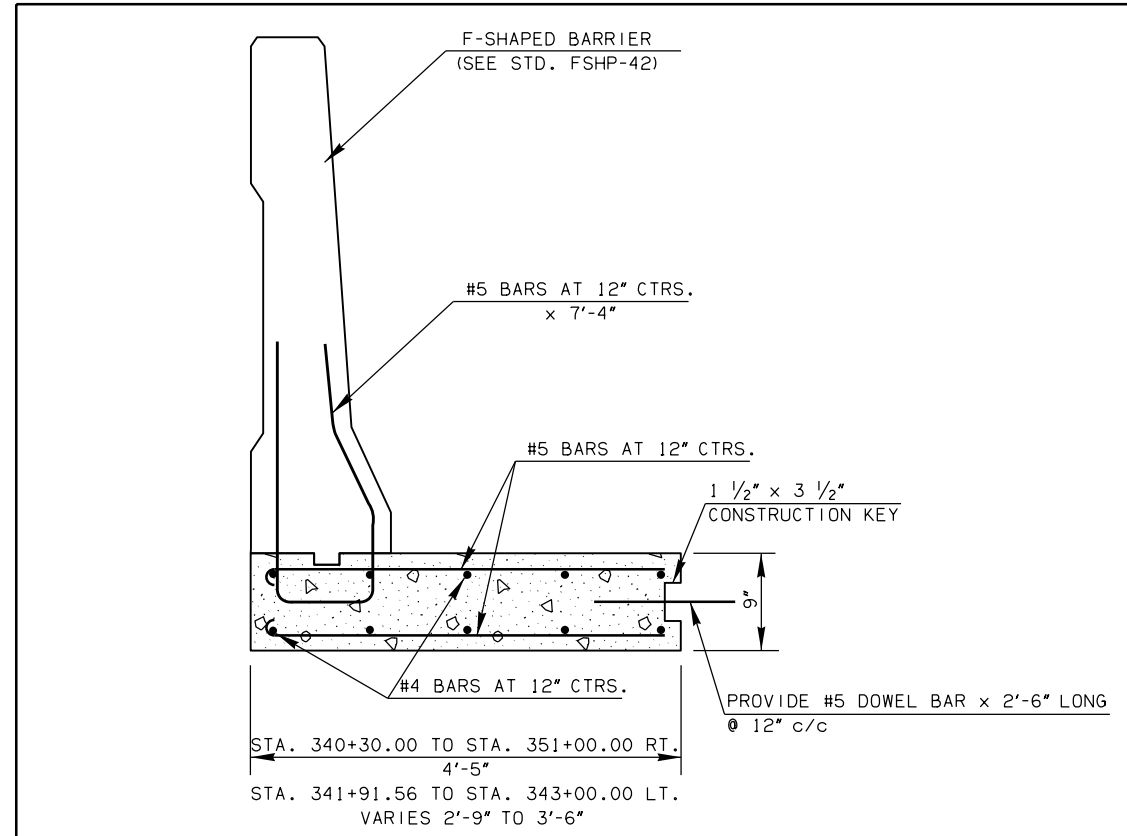
POE & ASSOCIATES, OKLAHOMA CITY, OK.					
FED. ROAD DIST. NO.	STATE	JOB PIECE NO.	FISCAL YEAR	SHEET NO.	TOTAL SHEETS
6	OKLA.				
DESCRIPTION		REVISIONS	DATE		



NOTE 1 : SURFACE AREA OF TOE OF SLOPE WALL INCLUDED IN PAY QUANTITY SHOWN FOR SLOPE WALL.

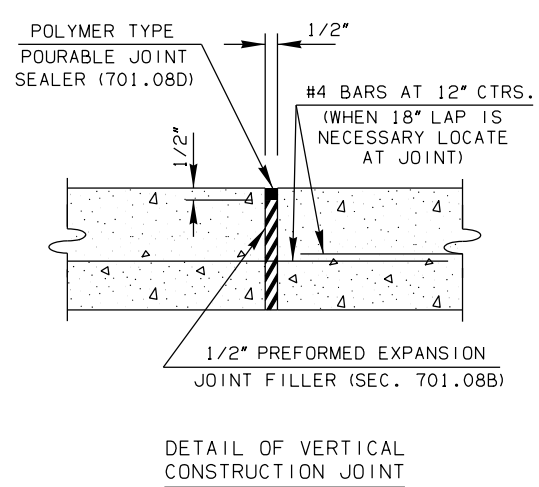


#4 BAR X 4'-3" BAR BEND IN TOE FOOTING



MOMENT SLAB
 STA. 341+91.56 TO STA. 343+00.00 LT. LINE 4
 STA. 340+30.00 TO STA. 351+00.00 RT. LINE 4

SLOPEWALL "C"



CLASS A CONCRETE:
 ALL CONCRETE IN THE SLOPE WALL SHALL BE CLASS A CONCRETE AND SHALL BE POURED IN THE DRY. ALL CONSTRUCTION SHALL BE IN ACCORDANCE WITH SECTION 509 AND 610 OF THE STANDARD SPECIFICATIONS. COARSE AGGREGATE FOR THIN SECTION CONCRETE (701.06) MAY BE USED.

CONSTRUCTION JOINTS:
 NO HORIZONTAL CONSTRUCTION JOINTS WILL BE PERMITTED IN THE SLOPE WALL. FINAL NUMBER AND LOCATION OF VERTICAL CONSTRUCTION JOINTS WILL BE DETERMINED BY THE ENGINEER. JOINTS WILL HAVE A MAXIMUM SPACING OF 10'-0" MEASURED ALONG THE TOE OF THE SLOPE WALL.

BASIS OF PAYMENT:
 CONCRETE SLOPE WALL WILL BE MEASURED FROM EDGE TO EDGE AND FROM TOP TO BOTTOM OF THE TOP SURFACE OF THE SLOPE WALL AND FULL FACE OF THE TOE OF THE SLOPE WALL. PAYMENT WILL BE MADE AT THE CONTRACT PRICE BID FOR:

900.03 5" CONCRETE SLOPE WALL S.Y.

WHICH SHALL INCLUDE ALL COSTS OF JOINT SEALER AND FILLER, REINFORCING STEEL, CONCRETE, EXCAVATION, FILTER SAND, COARSE MATERIAL, PERFORATED PIPE, LABOR, FORMS, AND INCIDENTALS NECESSARY TO COMPLETE THE WORK AS SHOWN AND SPECIFIED.

LT. QUANTITIES PER L.F.			RT. QUANTITIES PER L.F.		
509(B)	CLASS A CONCRETE	0.09 C.Y./L.F.	509(B)	CLASS A CONCRETE	0.12 C.Y./L.F.
511(A)	REINFORCING STEEL	17.90 LB./L.F.	511(A)	REINFORCING STEEL	25.30 LB./L.F.

PAY QUANTITY			
ITEM	DESCRIPTION	UNIT	QUANTITY
510(C)	5" SLOPEWALL	S.Y.	52.5

DESIGN	-	-
DRAWN	-	-
CHECKED	-	-
APPROVED	-	-
SQUAD	POE	

LINE 4
SLOPEWALL "C" FOOTING & MOMENT SLAB DETAILS
 STATE JOB NO. 30444106 SHEET NO. 21
 OKLAHOMA COUNTY

8/31/2017 2:32:42 PM H:\PROJECTS\203078 0001 EC-1611\Roadway\Drawings\20344\061-SlopedWall C.dgn